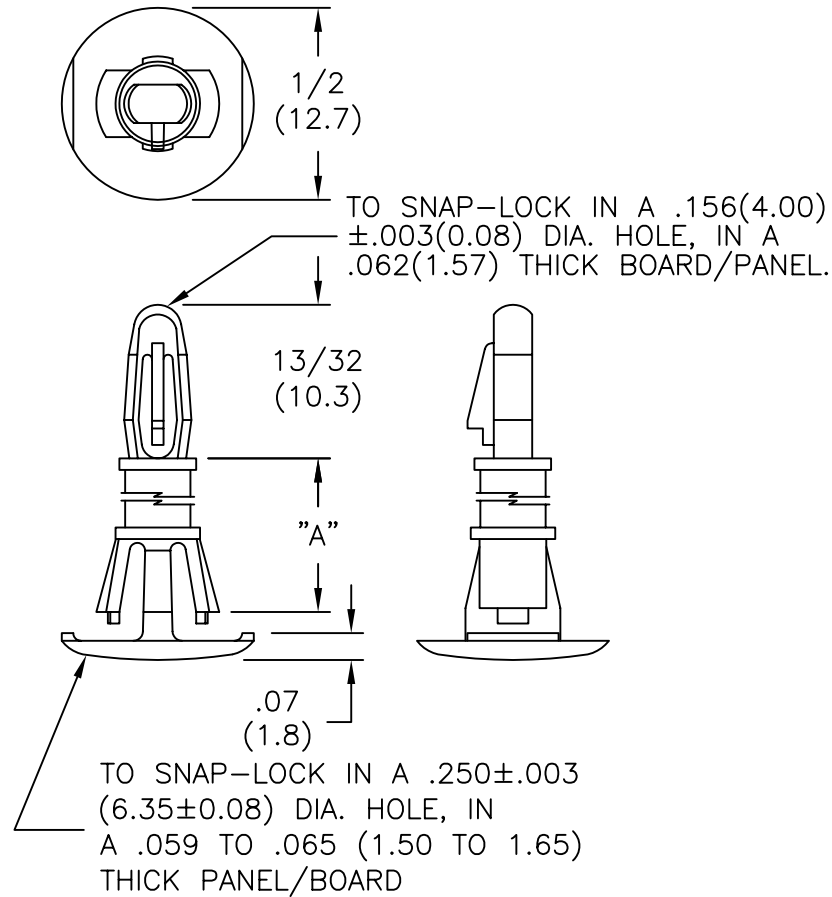


PART #	DIM. "A" ±.015(0.4)
RLCBSR1-4-01	1/4 (6.4)
RLCBSR1-6-01	3/8 (9.5)
RLCBSR1-8-01	1/2 (12.7)
RLCBSR1-10-01	5/8 (15.9)



NOTES:

1. MATERIAL: NYLON 6/6 (RMS-01).
FLAME RETARDANT NYLON (RMS-19),
AVAILABLE BY SPECIAL ORDER.
2. COLOR: NATURAL.

TITLE: REVERSE LOCK CKT. BD. SUPPORT, STYLE #1			DWG IN IN(MM)		FINAL	
TOLERANCES UNLESS NOTED .XX=±.010 .XXX=±.015 FRAC=1/64 ANG=1°			FILE # RLCBSR1	DWN: J.B./R.T.	APP:	PART #
C SEE ECN #539 FOR CHANGES SM 12.10.02			MAT'L: SEE NOTES	DT: 11-17-95	DT:	SEE TABLE
B CHANGED FILE NUMBER SM 05.03.01			RE: RICHCO INC.	RICHCO INC. PO BOX 804238, CHICAGO, 60680 (773) 539-4060		PRINT TYPE CA
A MAT'L RMS-19 ADDED J.L. 12.29.97						
REV DESCRIPTION ENGR DATE						